

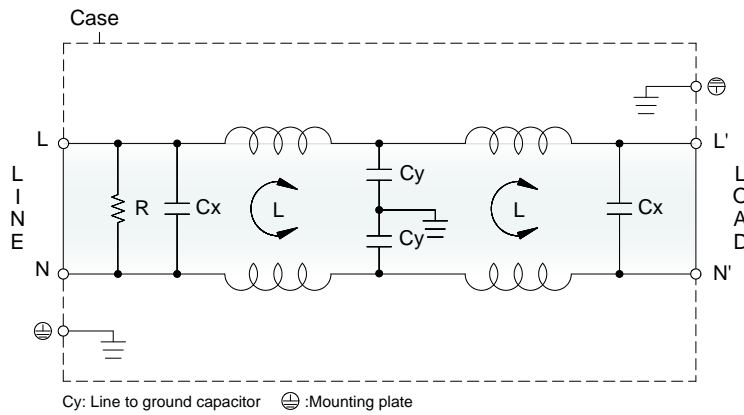
### Features

- Superior attenuation of common-mode noise
- 2-stage filter suitable for heavily noisy environment
- Current rating 1A~20A
- Integrated nut is in hinged cover for reliable ring lug wiring
- Light weight plastic housing design

### Marketing Applications

- Metal processing equipment
- Automation
- Assembly lines
- Computer numerical control (CNC)
- Packaging machine

### Electrical Schematic



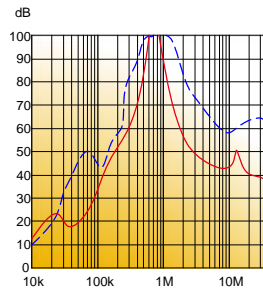
### Special Features

- CNBC series: best frequency bands 150kHz~1MHz.

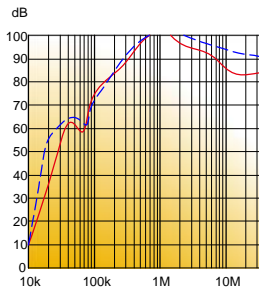
### Filter Attenuation

Insertion loss (dB) in 50 ohm system CISPR 17 (for reference only)

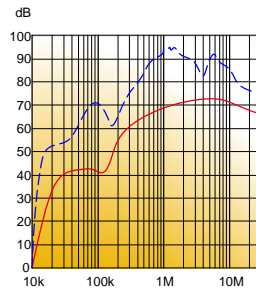
#### ■ 1A~3A



#### ■ 6A~10A



#### ■ 15A~20A



Common mode / Asymmetric (L-G) ————  
 Differential mode / Symmetric (L-L) - - - -

## Technical Data and Measuring Conditions

| No. | CNBC series Filter PRJ No. | 01CNBC472  | 03CNBC472 | 06CNBC472 | 10CNBC472 | 15CNBC472 | 20CNBC472 |
|-----|----------------------------|--|-----------|-----------|-----------|-----------|-----------|
| 1   | Rated voltage              | AC 1∅ 250V / DC250V  |           |           |           |           |           |
| 2   | Rated current              | 1A   | 3A        | 6A        | 10A       | 15A       | 20A       |
| 3   | Test voltage               | 2,500 VAC<br>(Cutoff current: 20mA), 1 min. at room temperature and humidity |           |           |           |           |           |
| 4   | Isolation resistance       | 500VDC 100MΩ min. at room temperature and humidity                           |           |           |           |           |           |
| 5   | Leakage current            | 1mA @250VAC/60Hz (max.)  |           |           |           |           |           |
| 6   | Cy cap. value              | 0.047 ~ 0.47nF   |           |           |           |           |           |
| 7   | Voltage drop               | 1.0V max.  |           |           |           |           |           |
| 8   | Safety approval temp.      | -25° ~ +100°   |           |           |           |           |           |
| 9   | Operating temperature      | -40° ~ +100°   |           |           |           |           |           |
| 10  | Operating humidity         | 20 ~ 95%RH (Non condensing)  |           |           |           |           |           |
| 11  | Storage temp. / humidity   | -40° ~ +100°; 20 ~ 95%RH (Non condensing)                                    |           |           |           |           |           |
| 12  | Vibration                  | 10 ~ 55Hz, 19.6m/s <sup>2</sup> (2G), 3 min. period, 1 hour each X,Y,Z axis  |           |           |           |           |           |
| 13  | Impact                     | 196.1m/s <sup>2</sup> (20G), 11ms, once along X,Y,Z axis                     |           |           |           |           |           |
| 14  | Safety approvals           | UL1283, CSA C22.2 No.8 (C-UL), VDE0565 Teil3-1, IEC/EN60939                  |           |           |           |           |           |

## Mechanical Drawing (unit: mm)

### ● Chassis mounting

