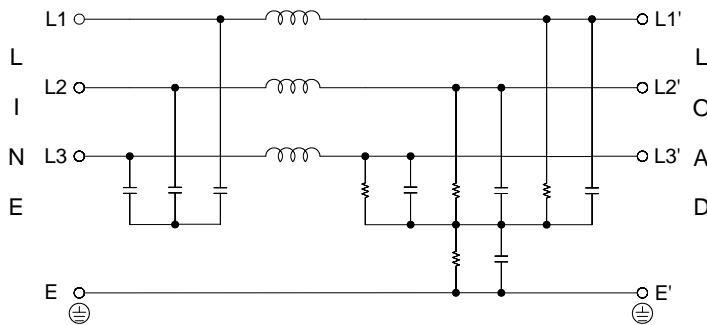


Technical data and measuring conditions

- Rated current: 25~230A@50°C
- Max. continuous operating voltage: 3x600 / 347VAC
- Operating frequency: dc to 60Hz
- Operating temp. : -25°~ + 100° (25/100/21)
- Hi-pot. test voltage (for 2 sec.):
P to E: 2750 VDC
P to P: 2250 VDC
- Protection category: IP20
- Flammability corresponding to: UL 94V-2 or better
- MTBF@50°C/400V(Mill-HB-217F): 300,000 hours
- Design corresponding to: UL1283, UL60939, CSA 22.2 No.8-13, IEC/EN60939
- Overload capability: 4 x rated current at switch on; 1.5 x rated current for 1 min., once per hour



Electrical schematic



Marketing applications

- Variable-frequency drive
- Lifts. Hoists
- Rectifiers
- Servo motor
- High power office equipment

Features

- Excellent conducted attenuation performance
- Current rating 25~230A
- Noise attenuation range from 10kHz~30MHz
- Thin and lightweight, metal chassis construction
- Alternative performance grade
- Widely use in regenerative motor drivers

Filter selection table

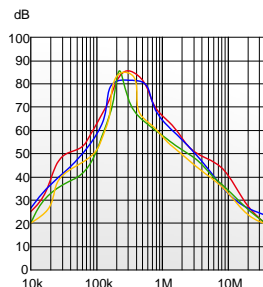
Filter PRJ No.	Rated Current @50°C [A]	Typical Drive* Power Rating [kW]	Leakage Current** @600VAC/50Hz [mA]	Power Loss @25°C/50Hz [W]
25SCA20H	25	15	10.5	17.1
50SCA20H	50	30	10.5	17.5
80SCA20H	80	45	10.5	25.9
110SCA20H	110	55	10.5	25.4
150SCA20H	150	75	10.5	40.5
230SCA20H	230	132	10.5	33.5

*Calculated at rated current, 600 VAC and cos phi = 0.8. The exact value depends upon the efficiency of the drive, the motor and the entire application.

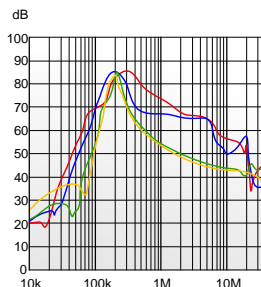
**Standardized calculated leakage current acc. IEC60939 under normal operating conditions.

Filter attenuation Insertion loss (dB) in 50Ω system CISPR 17

Common mode / Asymmetrical (P-E)

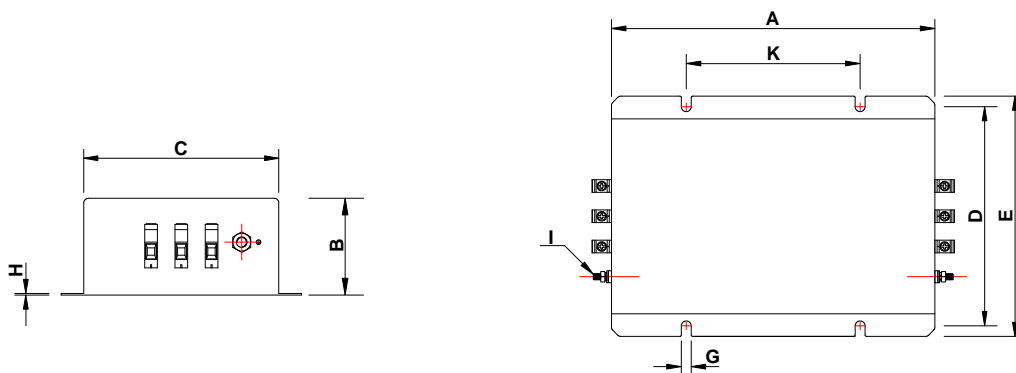


Differential mode / Symmetrical (P-P)



25A ————
50A ————
80A~150A ————
230A ————

Mechanical drawing



Dimensions (unit: mm) Tolerances according to ISO 2768-m / EN 22768-m

Code	25-50A	80-150A	230A
A	214	221	300
B	64	140	140
C	129	140	140
D	145	155	155
E	159	169	168
G	6.5	6.5	6.5
H	1	1	1
I	M6	M10	M10
K	115	115	165

Input / Output connectors cross sections

Input / Output connectors	25A	50A	80~110A	150~230A
Solid wire	16mm ²	35mm ²	50mm ²	95mm ²
Flex wire	10mm ²	25mm ²	50mm ²	95mm ²
AWG type wire	AWG 6	AWG 2	AWG 1/0	AWG 4/0
Recom. torque	1~1.2Nm	1.8~2Nm	2.3~2.5Nm	17~20Nm