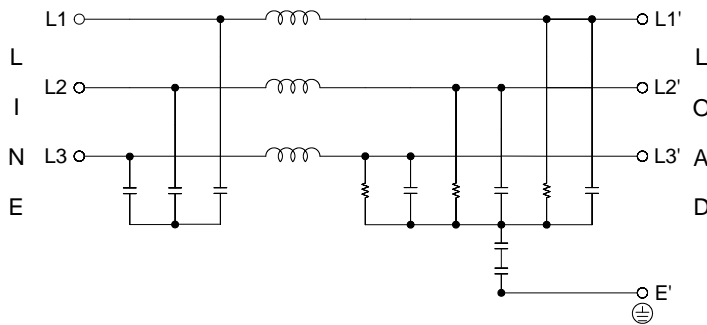


Technical data and measuring conditions

- Rated current: 10~30A@50°C
- Max. continuous operating voltage: 3x600 / 347VAC
- Operating frequency: dc to 60Hz
- Operating temp. : -25°~ + 100° (25/100/21)
- Hi-pot. test voltage (for 2 sec.):
P to E: 2000 VAC (L type)
P to P: 2250 VDC
- P to E: 3000 VDC (P type)
- Protection category: IP00
- Flammability corresponding to: UL 94V-2 or better
- MTBF@50°C/400V(Mill-HB-217F): >200,000 hours
- Design corresponding to: UL1283, UL60939, CSA 22.2 No.8-13, IEC/EN60939
- Overload capability: 4 x rated current at switch on; 1.5 x rated current for 1 min., once per hour



Electrical schematic



Marketing applications

- Stepping motor
- Electric appliance cabinet
- Smart grid
- AC servo motor
- Medical device (not body-coupled)

Features

- Excellent conducted attenuation performance
- Current rating 10~30A
- Extremely low leakage current values
- Light weight plastic housing design
- DIN-Rail mounting
- Alternative performance grade

Filter selection table

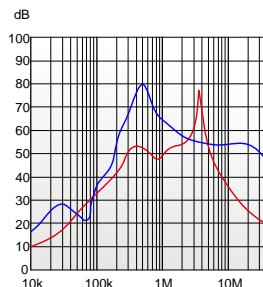
Filter PRJ No.	Rated Current @50°C [A]	Typical Drive* Power Rating [kW]	Leakage Current** @480VAC/50Hz [mA]	Power Loss @25°C/50Hz [W]
10SCJ26L	10	5.5	0.1	4.8
20SCJ26L	20	11	0.1	6.2
30SCJ26L	30	18.5	0.1	7
10SCJ26P	10	5.5	0.4	4.8
20SCJ26P	20	11	0.4	6.2
30SCJ26P	30	18.5	0.4	7

*Calculated at rated current, 480 VAC and cos phi = 0.8. The exact value depends upon the efficiency of the drive, the motor and the entire application.

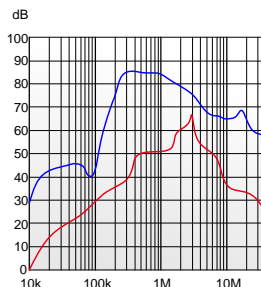
**Standardized calculated leakage current acc. IEC60939 under normal operating conditions.

Filter attenuation Insertion loss (dB) in 50Ω system CISPR 17

Common mode / Asymmetrical (P-E)



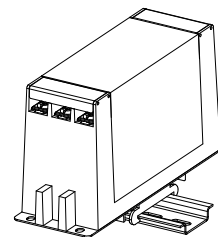
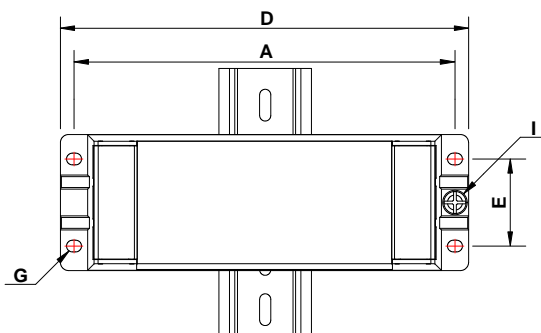
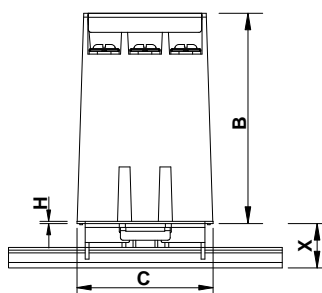
Differential mode / Symmetrical (P-P)



10A~20A ————
30A ————

Mechanical drawing

■ DIN-rail mounting



Dimensions (unit: mm)

Tolerances according to ISO 2768-m / EN 22768-m

Code	10~30A
A	140
B	78
C	50
D	150
E	32
G	4.3x5.5
H	1.2
I	M4
X	17

Input / Output connectors cross sections

Input / Output connectors	10~30A
Flex wire	1.3~2.5mm ² / 16~22mm ²
AWG type wire	AWG 16~13 / AWG 4~5
Ring / fork lug (W/d)*	Max.11mm(9.5mm) / Max.16.5mm(15mm)
	Min. Ø4.3mm / Min. Ø5.3mm
Recom. torque	1~1.2Nm / 1.9~2.2Nm

*H&L recommends the use of insulated and UL-recognized ring lugs or fork lugs of the appropriate size.