

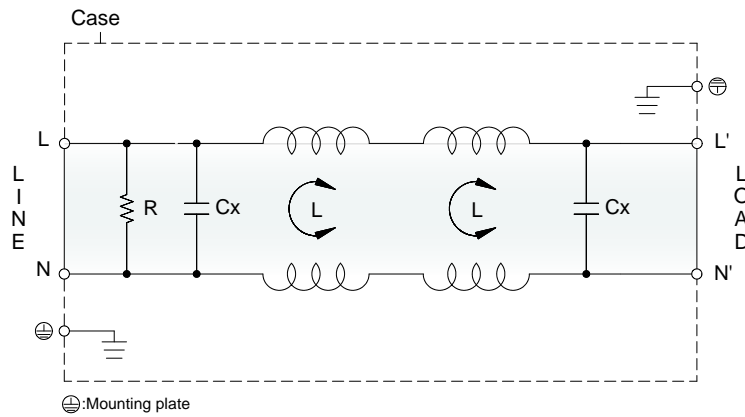
Features

- Superior attenuation of common-mode noise
- 2-stage filter suitable for heavily noisy environment
- Current rating 1A~20A
- Integrated nut is in hinged cover for reliable ring lug wiring
- Light weight plastic housing design

Marketing Applications

- UPS
- Automatic data processing system
- Medical scale
- Computer numerical control (CNC)
- Medical device (not body-coupled)

Electrical Schematic



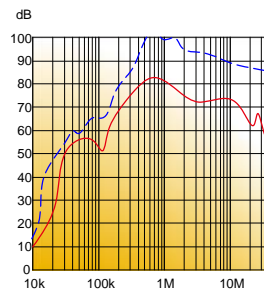
Special Features

- CNBM series: with very low leakage current; withstand voltage 4,000VAC.

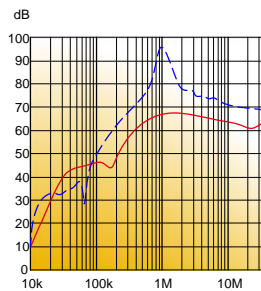
Filter Attenuation

Insertion loss (dB) in 50 ohm system CISPR 17 (for reference only)

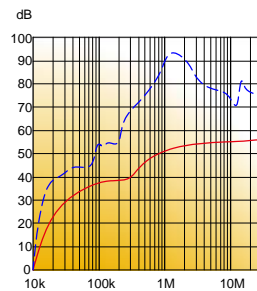
■ 1A~3A



■ 6A~10A



■ 15A~20A



Common mode / Asymmetric (L-G) ————
 Differential mode / Symmetric (L-L) - - - - -

Technical Data and Measuring Conditions

No.	CNBM series Filter PRJ No.	01CNBM471	03CNBM471	06CNBM471	10CNBM471	15CNBM471	20CNBM471
1	Rated voltage	AC 1Ø 250V / DC250V					
2	Rated current	1A	3A	6A	10A	15A	20A
3	Test voltage	4,000 VAC (Cutoff current: 20mA), 1 min. at room temperature and humidity					
4	Isolation resistance	500VDC 100MΩ min. at room temperature and humidity					
5	Leakage current	100 μ A @250VAC/60Hz (max.)					
6	Voltage drop	1.0V max.					
7	Safety approval temp.	-25° ~ +100°					
8	Operating temperature	-40° ~ +100°					
9	Operating humidity	20 ~ 95%RH (Non condensing)					
10	Storage temp. / humidity	-40° ~ +100°; 20 ~ 95%RH (Non condensing)					
11	Vibration	10 ~ 55Hz, 19.6m/s ² (2G), 3 min. period, 1 hour each X,Y,Z axis					
12	Impact	196.1m/s ² (20G), 11ms, once along X,Y,Z axis					
13	Safety approvals	UL1283, CSA C22.2 No.8 (C-UL), VDE0565 Teil3-1, IEC/EN60939					

Mechanical Drawing (unit: mm)

● Chassis mounting

